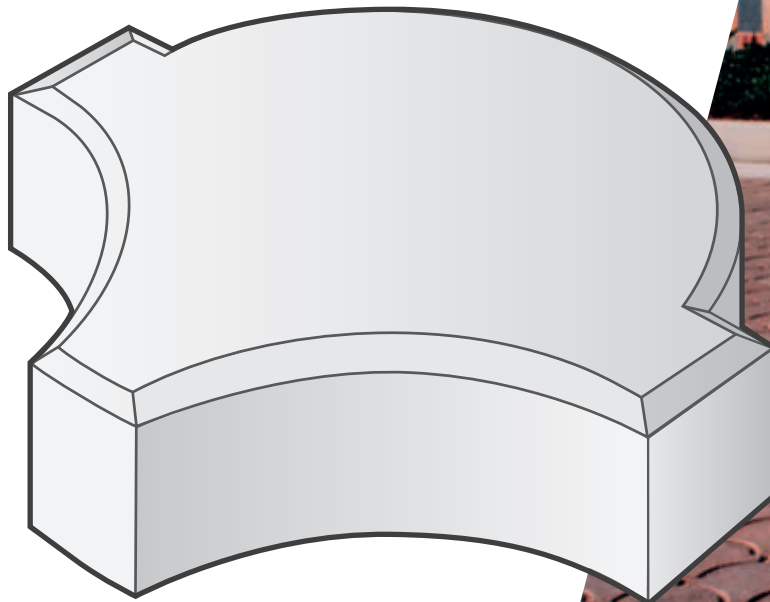


TECHNICRETE

Conleaf[®]

Attractive, functional, durable

Technicrete Conleaf[®] introduces gentle curves into paving, creating attractive patterns and pleasing lines. This block is available in all standard colours and is suitable for most paving applications.



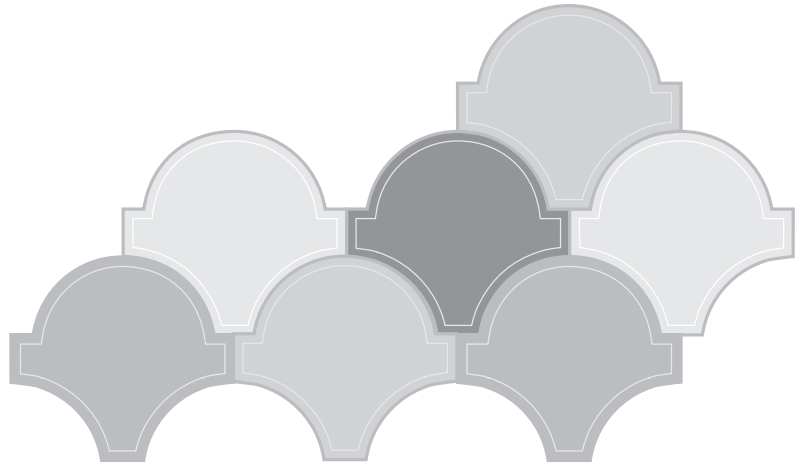
TECHNICRETE

quality support

PAVING • SPECIAL PRODUCTS • CONCRETE ROOF TILES • KERBS • MASONRY • SHOTCRETES
EROSION PROTECTION BLOCKS • MINING • TRAFFIC CALMING BLOCK • PREBAGGED PRODUCTS
PRECAST PRODUCTS • RETAINING WALLS • SLOPE SUPPORT SYSTEMS • HEAVY DUTY PAVEMENTS

TECHNICRETE

Conleaf® attractive, functional and durable




• LAYING PATTERN



Colours shown on front may vary from the true colour due to the printing process.

TECHNICAL SPECIFICATIONS

General Application	Thickness Available	Length/Wid	No. Blocks p/m ²	Colours available
 Domestic driveways, municipal parking areas, pedestrian pavements, pathways & commercial developments.	55mm	200 x 200	42	Autumn, Terracotta, Grey, Plum, Slate & Tan.
	60mm	200 x 200	42	Autumn, Terracotta, Grey, Plum, Slate & Tan.
Petrol station forecourts, industrial and factory roads, suburban streets etc.	80mm (on request only)	200 x 200	42	Autumn, Terracotta, Grey, Plum, Slate & Tan.

Please note the bedding and jointing sand should comply with SANS 1200MJ.

Technicrete reserves the right to change or amend the contents of this document at anytime without any notice with this document intended for general information only. Any specific information required about product specifications, applications, technical information, sales conditions, warranties and guarantees as required for any design or installation should be obtained from Technicrete.



TECHNICRETE
quality support

Technicrete House

Cnr. Main Reef Road & Houtkapper Street, Roodepoort, 1725
Tel: 011 674 6900 – Fax: 011 672 1425
Email: info@technicrete.co.za
www.technicrete.co.za
0861 266267



Branches:

Carletonville: 011 372-8500
Stilfontein: 018 484-3089
Olifantsfontein: 011 203-7700

Polokwane: 015 298-8083
Welkom: 057 391-4200
Witbank: 013 696-1153