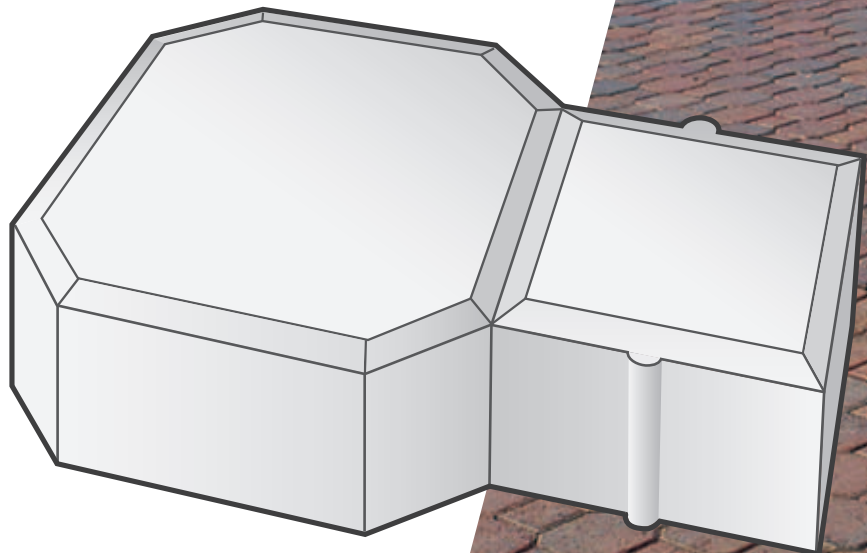


TECHNICRETE

Keystone

The combination of two distinctive unique shapes in one

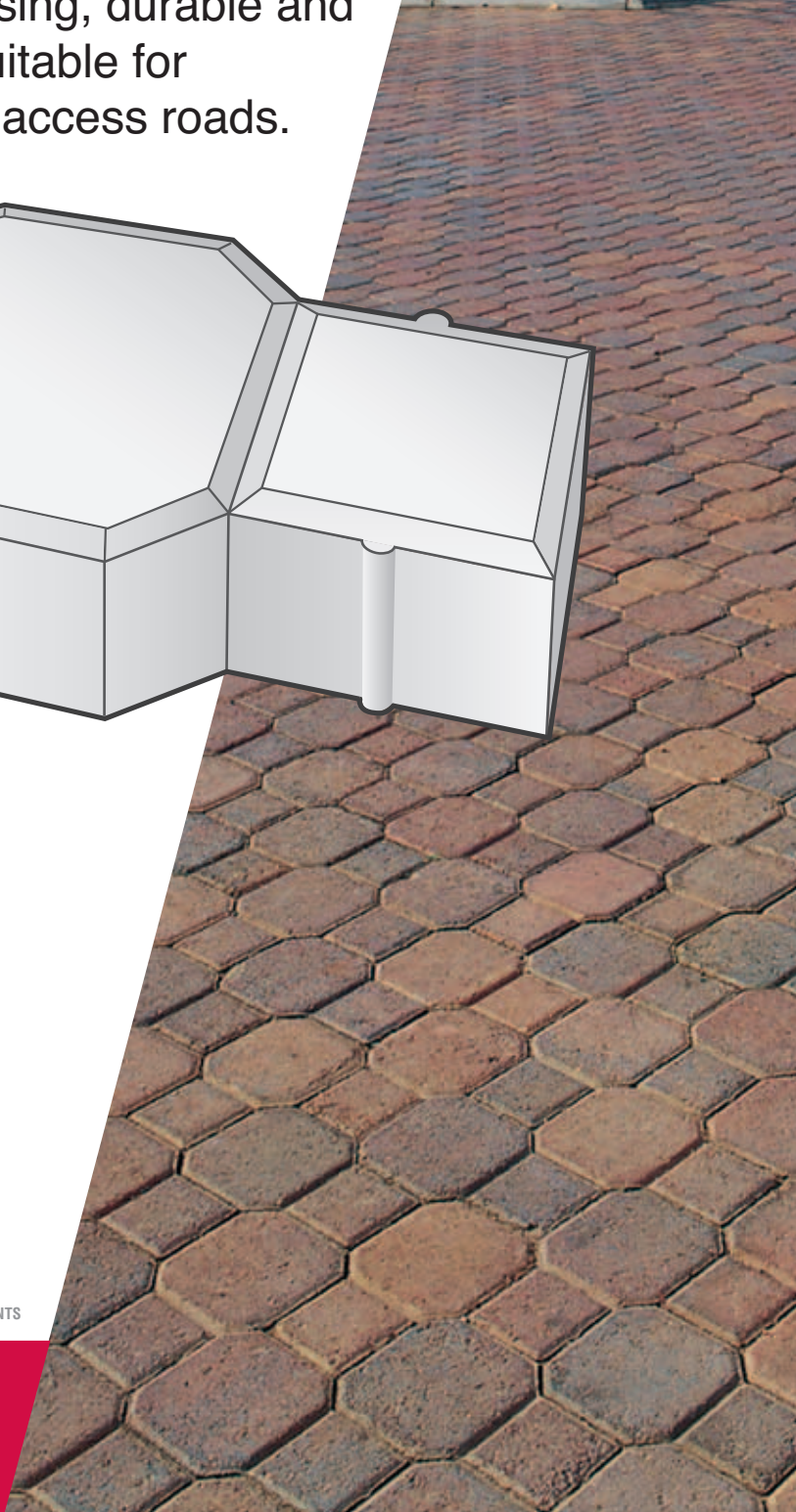
Technicrete Keystone paving derives its unique good looks by combining two distinctive shapes into one unit. It creates a pleasing, durable and maintenance free surfacing suitable for driveways, parking areas and access roads.



TECHNICRETE

quality support

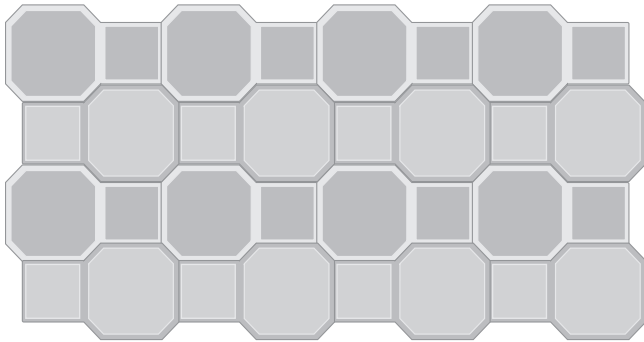
PAVING • SPECIAL PRODUCTS • CONCRETE ROOF TILES • KERBS • MASONRY • SHOTCRETES
EROSION PROTECTION BLOCKS • MINING • TRAFFIC CALMING BLOCK • PREBAGGED PRODUCTS
PRECAST PRODUCTS • RETAINING WALLS • STOPE SUPPORT SYSTEMS • HEAVY DUTY PAVEMENTS



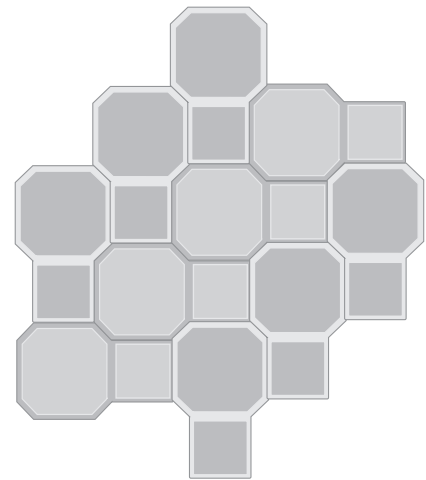
TECHNICRETE

Keystone two shapes in one

• LAYING PATTERN



Stretcher Bond



Herringbone



Colours shown on front may vary from the true colour due to the printing process.

General Application	Thickness Available (mm)	Length X Width (mm)	No. Blocks p/m ²	Colours available
 Domestic driveways, municipal parking areas, pedestrian pavements, pathways & commercial developments.	60mm (Non bevel available on request)	230 X 140mm	39	Autumn, Terracotta, Grey, Plum, Slate & Tan.
Petrol station forecourts, industrial and factory roads, suburban streets etc.	80mm	230 X 140mm	39	Autumn, Terracotta, Grey, Plum, Slate & Tan.

Please note the bedding and jointing sand should comply with SANS 1200MJ.

Technicrete reserves the right to change or amend the contents of this document at anytime without any notice with this document intended for general information only. Any specific information required about product specifications, applications, technical information, sales conditions, warranties and guarantees as required for any design or installation should be obtained from Technicrete.



Technicrete House
 Cnr. Main Reef Road & Houtkapper Street, Roodepoort, 1725
 Tel: 011 674 6900 – Fax: 011 672 1425
 Email: info@technicrete.co.za
 www.technicrete.co.za
 0861 266267



Branches:
Carletonville: 011 372-8500
Stilfontein: 018 484-3089
Olifantsfontein: 011 203-7700
Polokwane: 015 298-8083
Welkom: 057 391-4200
Witbank: 013 696-1153