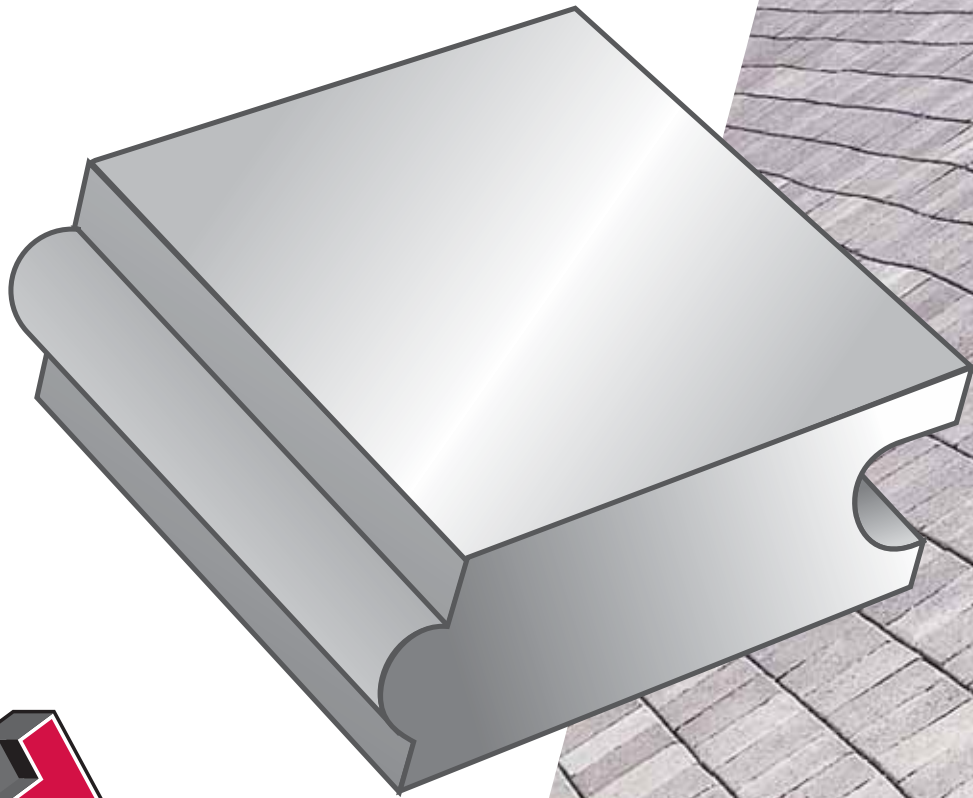


TECHNICRETE

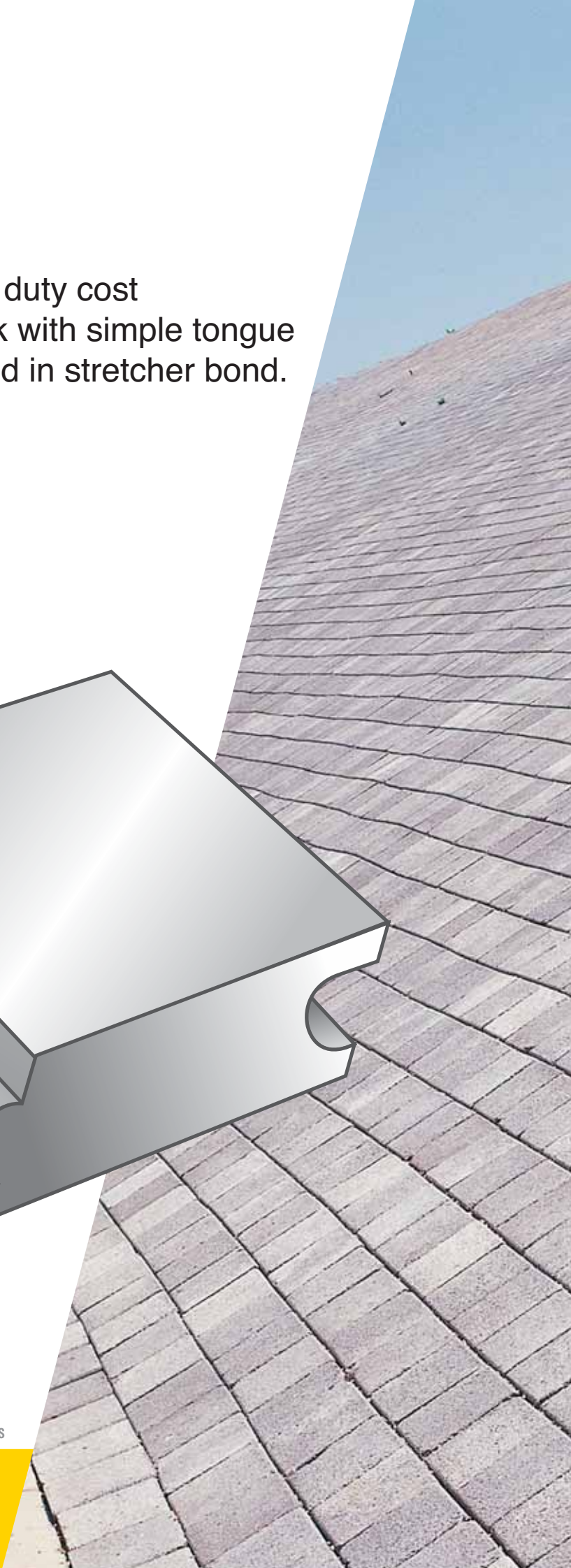
Escoline[®]

Technicrete Escoline[®], light duty cost effective erosion control block with simple tongue and groove interlock when laid in stretcher bond.



TECHNICRETE
quality support

CONCRETE ROOF TILES • EROSION PROTECTION BLOCKS • KERBS • MASONRY •
PAVING • PRECAST PRODUCTS • RETAINING WALLS • STOPE SUPPORT SYSTEMS



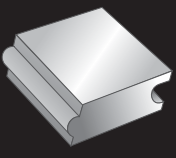
TECHNICRETE

Escoline[®] light duty protection block

Technicrete Escoline[®] light duty cost effective erosion control block with simple tongue and groove interlock when laid in stretcher bond.

Conventional interlocking block paving has proved to be a superior surfacing in many applications. With the use of mechanical interlocking blocks, the scope of suitable applications is made even wider.

Advantages of mechanical interlocking blocks: Maintains integrity with surrounding blocks / Any ground settlements will not dislodge an individual block / Resists uplift forces when used in channels or in sludge drying areas / security against uplift by non authorized persons is greatly improved / load transfer is direct from block to block and not via the jointing sand alone, jointing sand is less susceptible to blow out or wash out / added resistance to uplift on steep slopes.

Applications	No. of blocks per m ² at nominal size	Colours available	Special features	Size Length x Width Thickness
 <ul style="list-style-type: none"> <i>Embankment & bridge abutments</i> <i>Small storm water channels</i> <i>Linings to earth ponds</i> <i>Not suitable for traffic loading</i> 	51	<ul style="list-style-type: none"> Standard Grey Coloured products on request 	Tongue and groove	140mm x 140mm x 60mm



Please note the bedding and jointing sand should comply with SANS 1200MJ.

Technicrete reserves the right to change or amend the contents of this document at anytime without any notice with this document intended for general information only. Any specific information required about product specifications, applications, technical information, sales conditions, warranties and guarantees as required for any design or installation should be obtained from Technicrete.



TECHNICRETE
quality support

Technicrete House

Cnr. Main Reef Road & Houtkapper Street, Roodepoort, 1725
Tel: 011 674 6900 – Fax: 011 672 1425
Email: info@technicrete.co.za
www.technicrete.co.za
0861 266267



A Murray & Roberts company

Branches:

Carletonville: 018 790-4380
Evander: 017 689-2100
Stilfontein: 018 484-6234

White River: 013 750-0319
Olifantsfontein: 011 203-7700
Polokwane: 015 298-8083
Welkom: 057 391-4200
Witbank: 013 696-1153