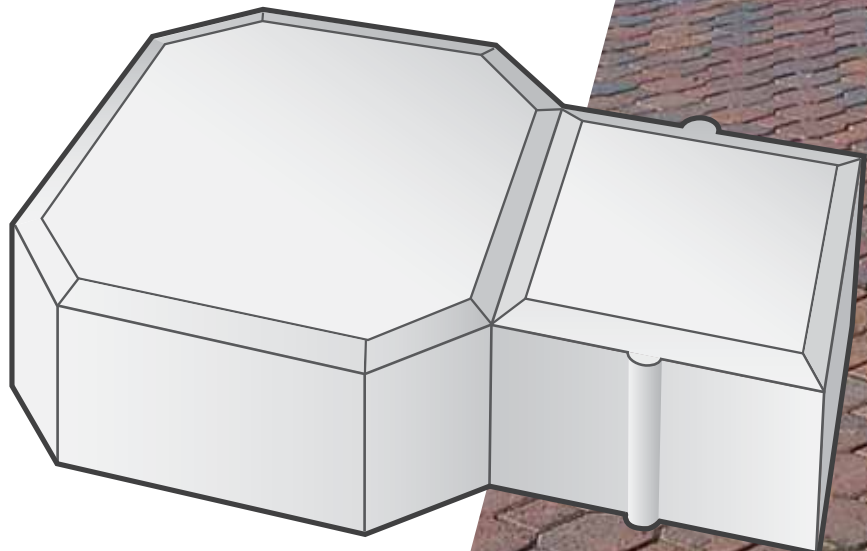


# TECHNICRETE

## Keystone

The combination of two distinctive unique shapes in one

**Technicrete Keystone** paving derives its unique good looks by combining two distinctive shapes into one unit. It creates a pleasing, durable and maintenance free surfacing suitable for driveways, parking areas and access roads.



**TECHNICRETE**  
quality support

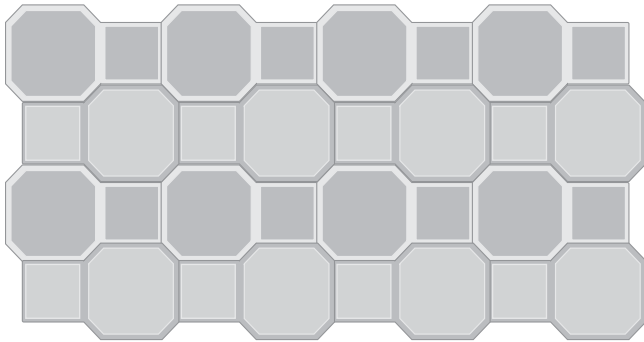
CONCRETE ROOF TILES • EROSION PROTECTION BLOCKS • KERBS • MASONRY •  
PAVING • PRECAST PRODUCTS • RETAINING WALLS • SLOPE SUPPORT SYSTEMS



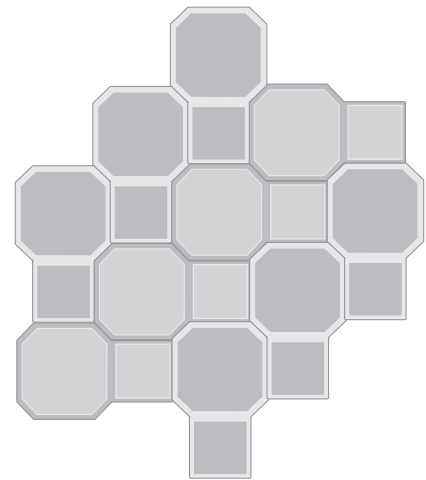
# TECHNICRETE

## Keystone two shapes in one

### • LAYING PATTERN




**Stretcher Bond**



**Herringbone**



General Application	Thickness Available (mm)	Length X Width (mm)	No. Blocks p/m <sup>2</sup>	Colours available
 Domestic driveways, municipal parking areas, pedestrian pavements, pathways & commercial developments.	<b>60mm</b>	<b>230 X 140mm</b>	<b>39</b>	<b>Autumn, Terracotta, Grey, Plum, Slate &amp; Tan.</b>
Petrol station forecourts, industrial and factory roads, suburban streets etc.	<b>80mm</b>	<b>230 X 140mm</b>	<b>39</b>	<b>Autumn, Terracotta, Grey, Plum, Slate &amp; Tan.</b>

*Please note the bedding and jointing sand should comply with SANS 1200MJ.*

Technicrete reserves the right to change or amend the contents of this document at anytime without any notice with this document intended for general information only. Any specific information required about product specifications, applications, technical information, sales conditions, warranties and guarantees as required for any design or installation should be obtained from Technicrete.



#### Technicrete House

Cnr. Main Reef Road & Houtkapper Street, Roodepoort, 1725  
 Tel: 011 674 6900 – Fax: 011 672 1425  
 Email: [info@technicrete.co.za](mailto:info@technicrete.co.za)  
[www.technicrete.co.za](http://www.technicrete.co.za)  
 0861 266267



A Murray & Roberts company

#### Branches:

**Carletonville:** 018 790-4380  
**Evander:** 017 689-2100  
**Stilfontein:** 018 484-6234

**White River:** 013 750-0319  
**Olifantsfontein:** 011 203-7700  
**Polokwane:** 015 298-8083  
**Welkom:** 057 391-4200  
**Witbank:** 013 696-1153