

TECHNICRETE Double Roman, Bold Double Roman & Tuscan Roof Tiles cost effectiveness with aesthetic appeal

ANTIQUÉ COLOUR



GRANULAR FINISHED Granular finish only available in Polokwane



SMOOTH COLOUR



Tuscan Roof Tiles



Standard colours also available in Tuscan range and Bold Double Roman range

Colours shown may vary from the true colour due to the printing process.

Technicrete reserves the right to change or amend the contents of this document at anytime without any notice with this document intended for general information only. Any specific information required about product specifications, applications, technical information, sales conditions, warranties and guarantees as required for any design or installation should be obtained from Technicrete.



Technicrete House
Cnr. Main Reef Road & Houtkapper Street, Roodepoort, 1725
Tel: 011 674 6900 – Fax: 011 672 1425
Email: info@technicrete.co.za
www.technicrete.co.za
0861 266267



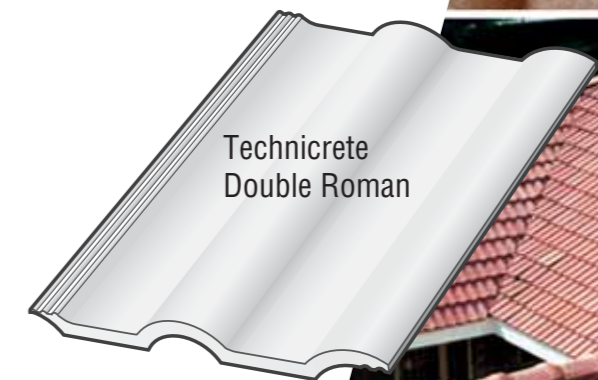
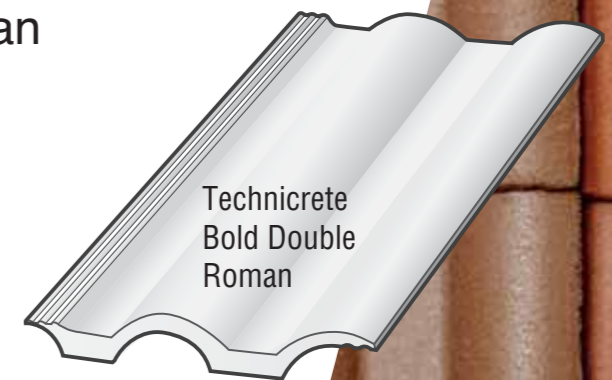
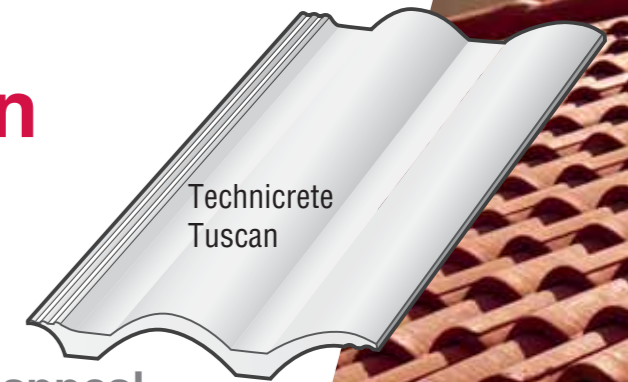
Branches:
White River: 013 750-0319
Polokwane: 015 298-8083

TECHNICRETE

Double Roman, Bold Double Roman & Tuscan Roof Tiles

Cost effectiveness with aesthetic appeal

Technicrete Double Roman, Bold Double Roman & Tuscan Roof Tiles, the high quality roof coverings to enhance any building construction. Available in an exciting range of colours and finishes.

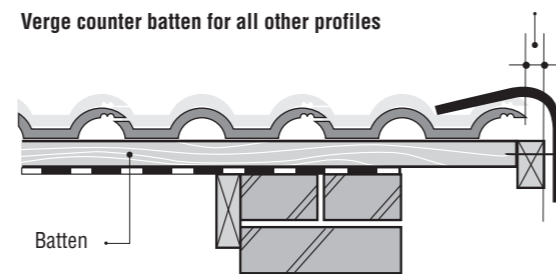
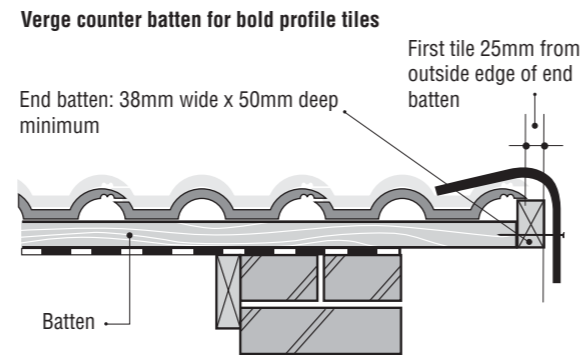
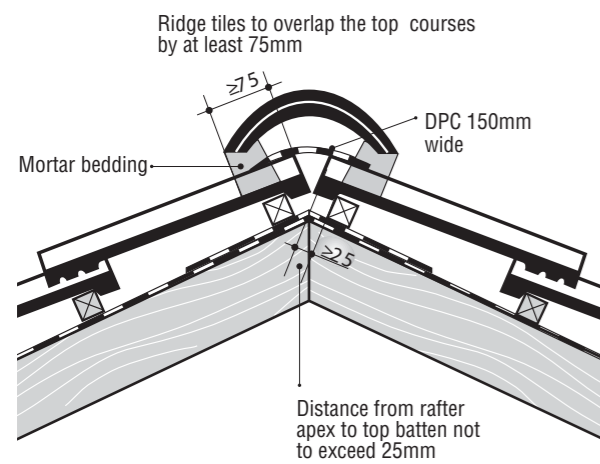
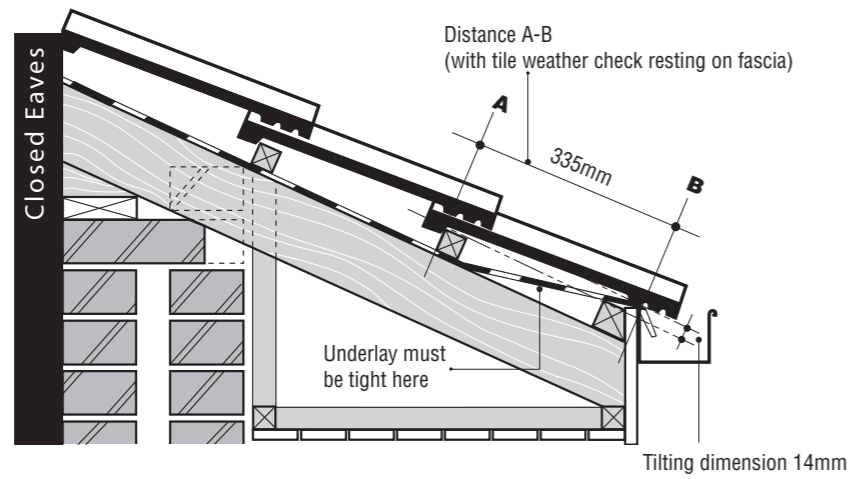
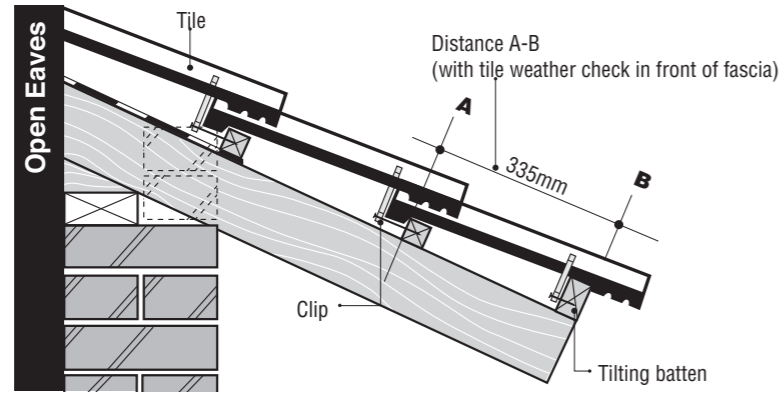


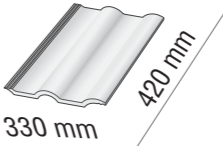
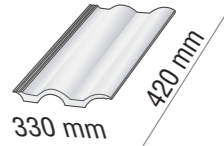
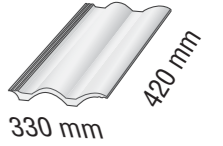
TECHNICRETE
quality support

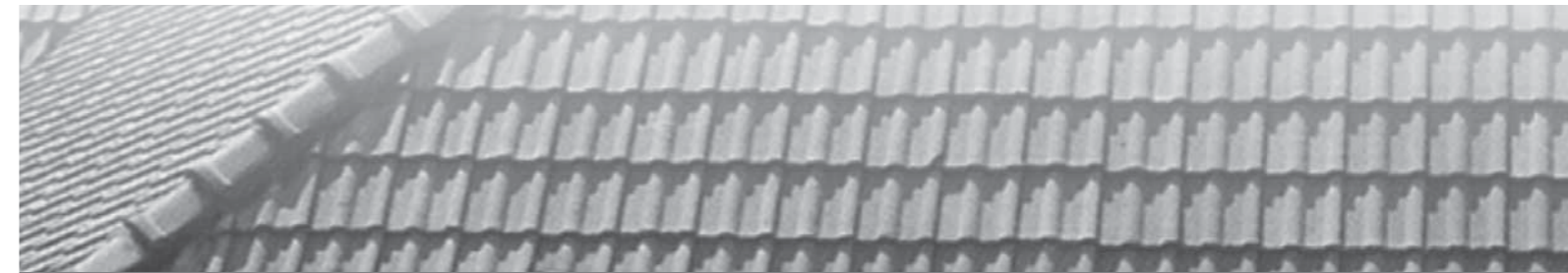
CONCRETE ROOF TILES • EROSION PROTECTION BLOCKS • KERBS • MASONRY • PAVING • PRECAST PRODUCTS • RETAINING WALLS • STOPE SUPPORT SYSTEMS

Nailing

The first two tiles at verges, eaves, hips, valleys and abutments must be nailed. It is recommended that every third tile in every third course be nailed, over 45° roof pitch and in exposed areas every tile should be nailed.



TILING DATA	Pitch 17.5 to 25	Pitch 26 & above			
Tile head lap (minimum)	100 mm	75 mm	Technicrete Double Roman	Technicrete Bold Double Roman	Technicrete Tuscan
Batten centres (maximum)	320 mm	345 mm			
Length of battens per m ² (average)	3.15 m	2.99 m	330 mm	330 mm	330 mm
Tiles per m ² (average)	10.42	9.66	420 mm	420 mm	420 mm
Mass of tiles per m ² (average)	50 kg	46 kg			
Size of tile	420 x 330 mm	420 x 330 mm			
Mass per tile (approx)	4.8 kg	4.8 kg			
Underlay	Mandatory	Recommended			



	Accessories	Weight	No. per meter	Note
	Tapered ridge tile	4.7 kg	2.5	
	Angle butt ridge tile	4.5 kg	3	
	Butt mono ridge	6.3 kg	3	
	Angle collar ridge	4.5 kg	3	
	Hip starter	3.9 kg	N/A	N/A