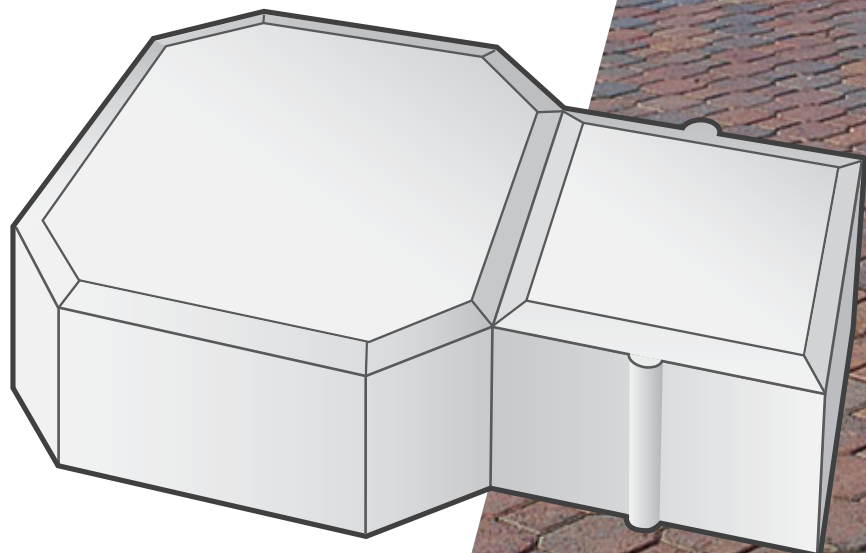


TECHNICRETE

Keystone

The combination of two distinctive unique shapes in one

Technicrete Keystone paving derives its unique good looks by combining two distinctive shapes into one unit. It creates a pleasing, durable and maintenance free surfacing suitable for driveways, parking areas and access roads.



TECHNICRETE
quality support

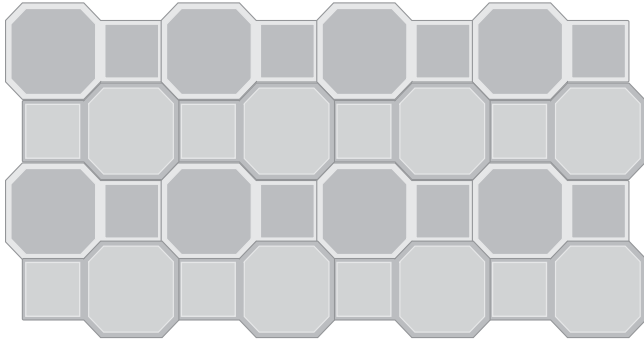
PAVING • KERBS • EROSION PROTECTION • RETAINING WALLS • MASONRY • HEAVY DUTY PAVEMENTS
• MINING • SHOTCRETES • PREBAGGED PRODUCTS • STOPE SUPPORT SYSTEMS



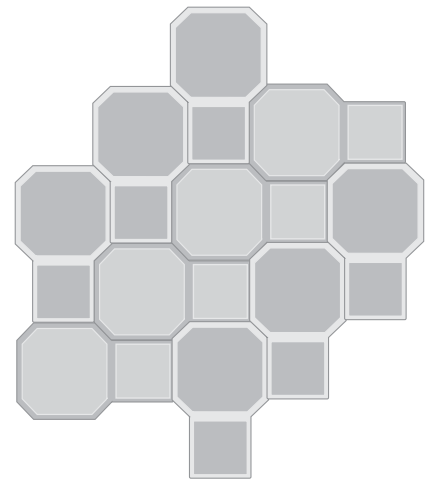
TECHNICRETE

Keystone two shapes in one

• LAYING PATTERN



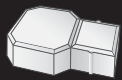
Stretcher Bond



Herringbone



Colours shown on front may vary from the true colour due to the printing process.



| General Application | Thickness Available (mm) | Length X Width (mm) | No. Blocks p/m ² | Colours available |
|--|---------------------------------------|---------------------|-----------------------------|--|
| Domestic driveways, municipal parking areas, pedestrian pavements, pathways & commercial developments. | 60mm (Non bevel available on request) | 230 X 140mm | 39 | Autumn, Terracotta, Grey, Plum, Slate & Tan. |
| Petrol station forecourts, industrial and factory roads, suburban streets etc. | 80mm | 230 X 140mm | 39 | Autumn, Terracotta, Grey, Plum, Slate & Tan. |

Please note the bedding and jointing sand should comply with SANS 1200MJ.

Technicrete reserves the right to change or amend the contents of this document at anytime without any notice with this document intended for general information only. Any specific information required about product specifications, applications, technical information, sales conditions, warranties and guarantees as required for any design or installation should be obtained from Technicrete.



TECHNICRETE
quality support

Technicrete House

Cnr. Main Reef Road & Houtkapper Street, Roodepoort, 1725
Tel: 011 674 6900 – Fax: 011 672 1425
Email: info@technicrete.co.za
www.technicrete.co.za
0861 266 267



Branches:

Gauteng: Olifantsfontein 011 206 8920
Clayville 011 316 2375
Carletonville 087 354 8620

Mpumalanga: Witbank 013 696 1153
North West: Stillfontein 010 005 1702
Limpopo: Polokwane 015 293 2082
Free State: Welkom 057 391 4200