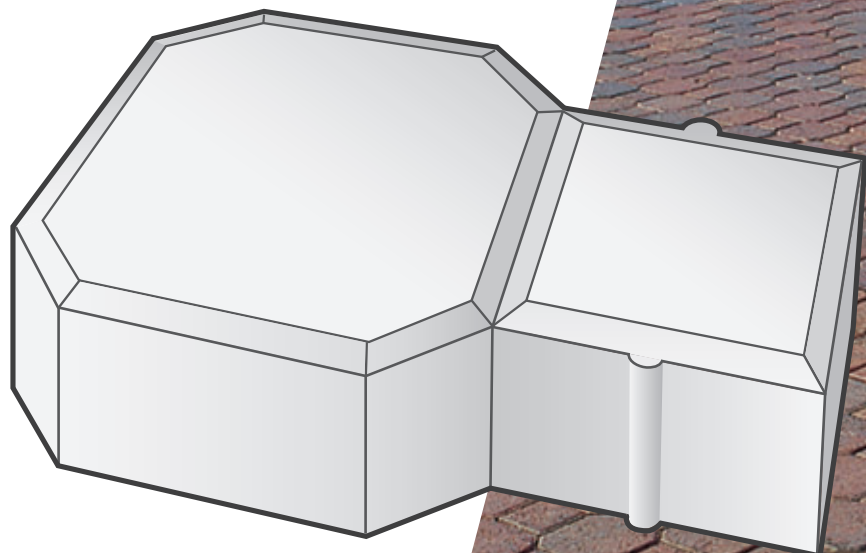


# TECHNICRETE

## Keystone

The combination of two distinctive unique shapes in one

**Technicrete Keystone** paving derives its unique good looks by combining two distinctive shapes into one unit. It creates a pleasing, durable and maintenance free surfacing suitable for driveways, parking areas and access roads.



**TECHNICRETE**  
quality support

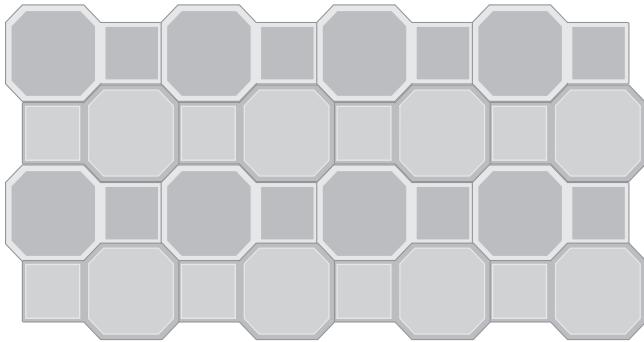
PAVING • KERBS • EROSION PROTECTION • RETAINING WALLS • MASONRY • HEAVY DUTY PAVEMENTS  
• MINING • SHOTCRETES • PREBAGGED PRODUCTS • STOPE SUPPORT SYSTEMS



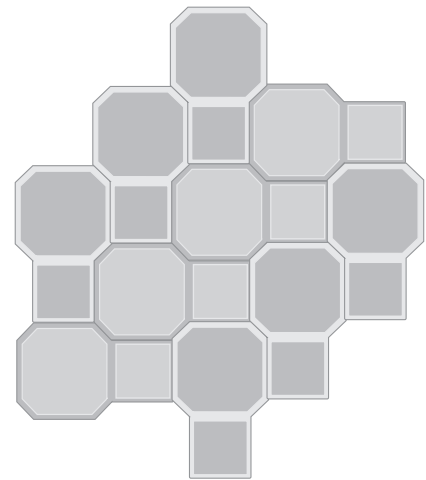
# TECHNICRETE

## Keystone two shapes in one

### • LAYING PATTERN




**Stretcher Bond**



**Herringbone**



Colours shown on front may vary from the true colour due to the printing process.

General Application	Thickness Available (mm)	Length X Width (mm)	No. Blocks p/m <sup>2</sup>	Colours available
 Domestic driveways, municipal parking areas, pedestrian pavements, pathways & commercial developments.	60mm (Non bevel available on request)	230 X 140mm	38	Autumn, Terracotta, Grey, Plum, Slate & Tan.
Petrol station forecourts, industrial and factory roads, suburban streets etc.	80mm	230 X 140mm	38	Autumn, Terracotta, Grey, Plum, Slate & Tan.

Please note the bedding and jointing sand should comply with SANS 1200MJ.

Technicrete reserves the right to change or amend the contents of this document at anytime without any notice with this document intended for general information only. Any specific information required about product specifications, applications, technical information, sales conditions, warranties and guarantees as required for any design or installation should be obtained from Technicrete.



**TECHNICRETE**  
quality support

#### Technicrete House

Cnr. Main Reef Road & Houtkapper Street, Roodepoort, 1725  
Tel: 011 674 6900 – Fax: 011 672 1425  
Email: info@technicrete.co.za  
www.technicrete.co.za  
0861 266 267



#### Branches:

**Gauteng:** Olifantsfontein 011 206 8920  
Clayville 011 316 2375  
Carletonville 087 354 8620

**Mpumalanga:** Witbank 013 696 1153  
**North West:** Stillfontein 010 005 1702  
**Limpopo:** Polokwane 015 293 2082  
**Free State:** Welkom 057 391 4200